

# RAPID SET™ SYSTEM



## Installation Instructions

Do not remove side wood stabilizers until anchored to concrete.



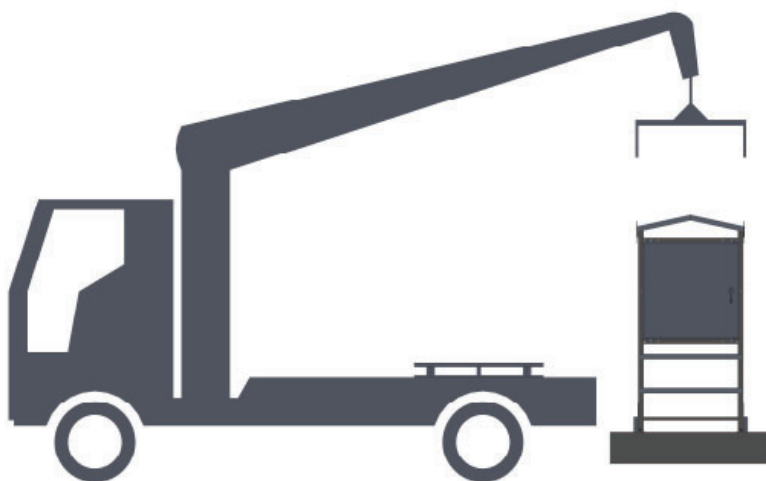
Attach rigging with spreader bar to lifting eyes

 **CAUTION**

**STAY CLEAR FROM  
SUSPENDED LOAD**

LIFTING EYE CAPACITY: 700lbs combined max

Place Rapid Set on concrete pad.



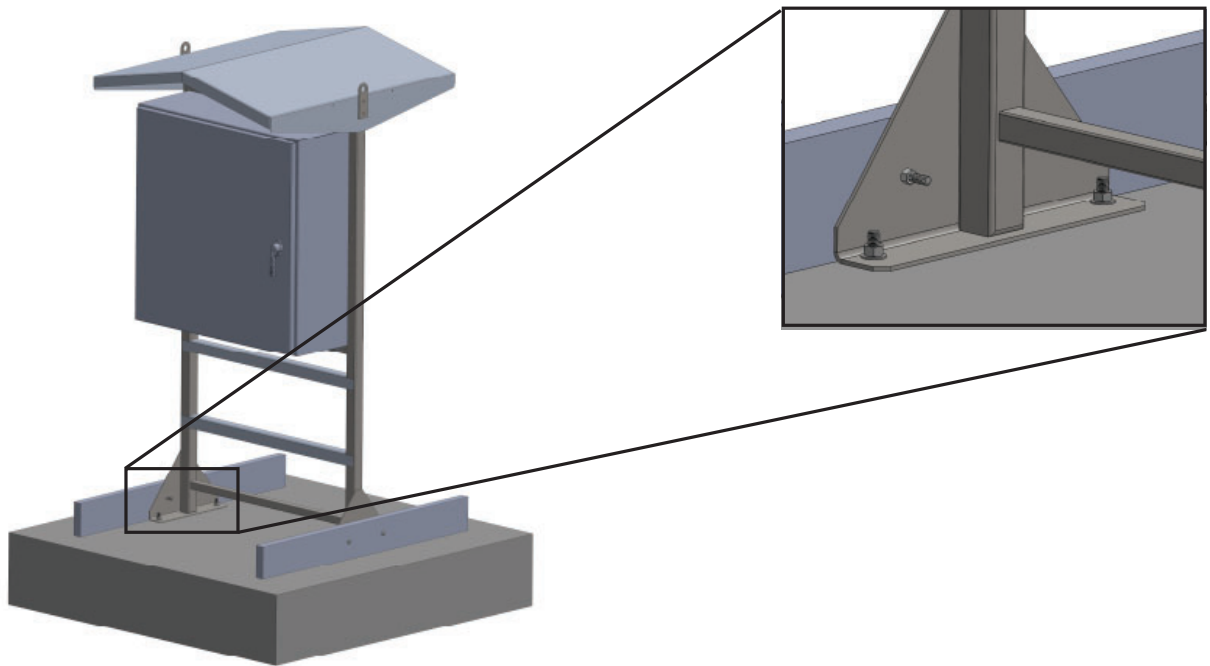
 **WARNING!**

**Tip Over Hazard**

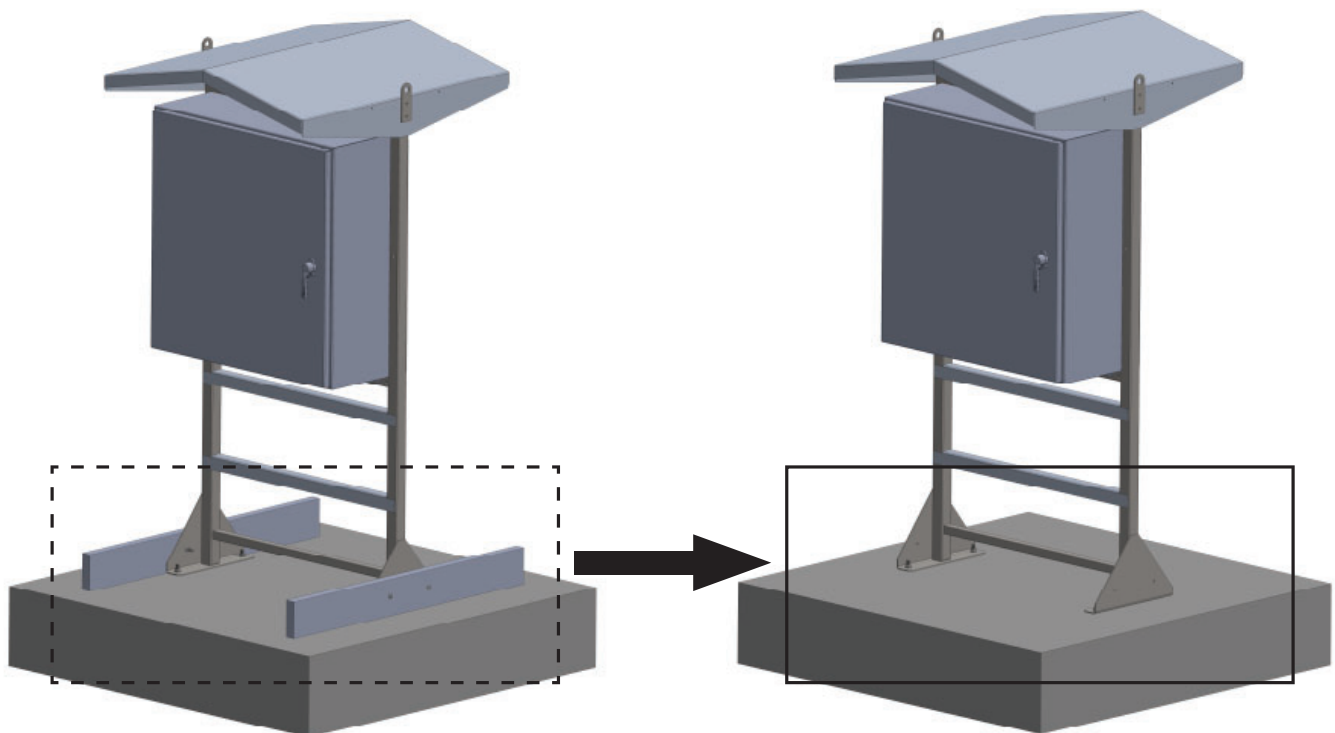
Anchor Rapid Set to the concrete pad

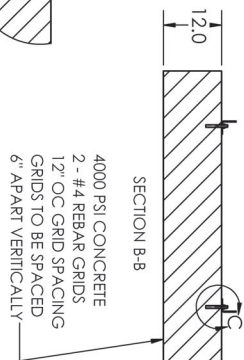
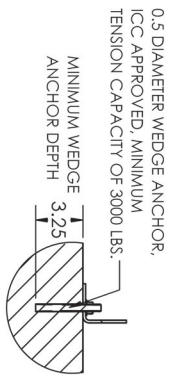
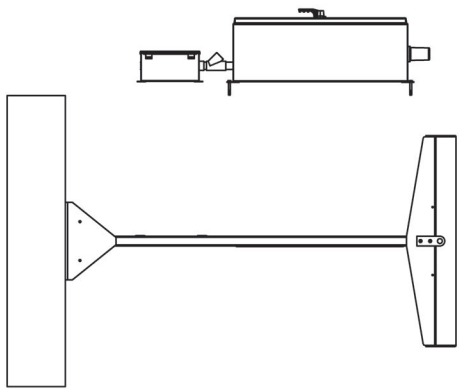
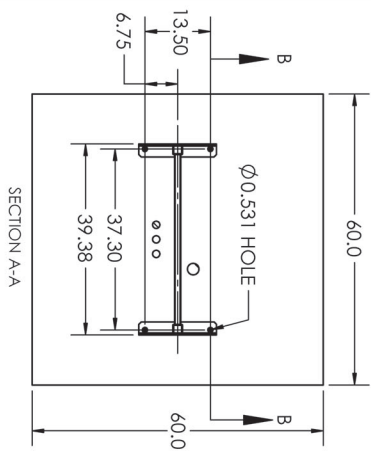
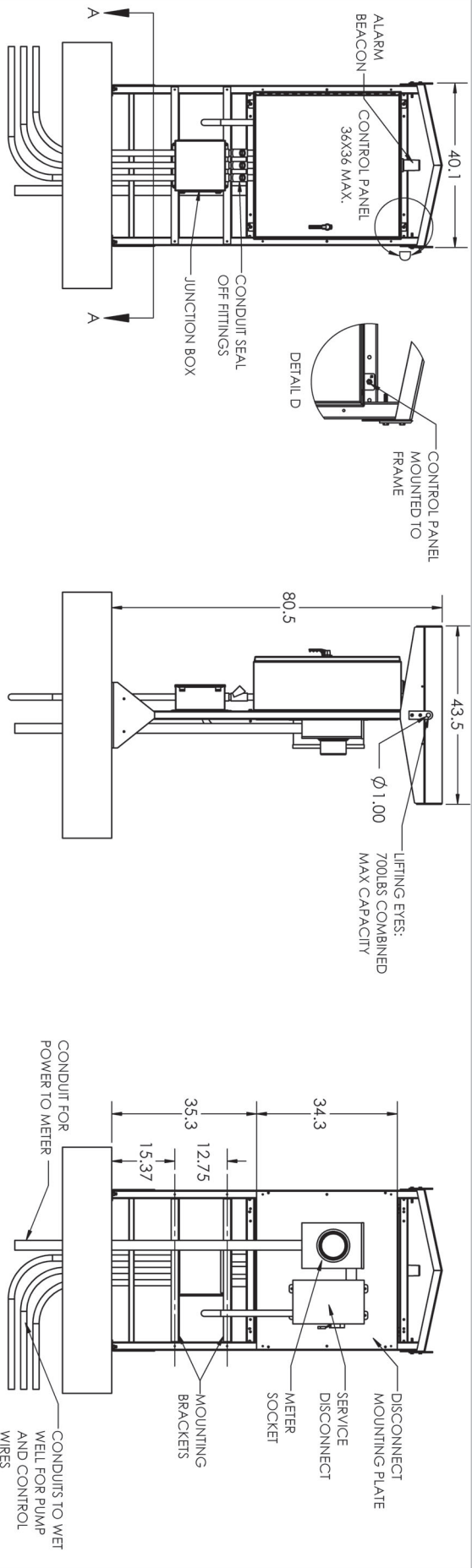
Only use specified anchor bolts, 4 bolts required

- 0.5 DIAMETER WEDGE ANCHOR, ICC APPROVED, MINIMUM TENSION CAPACITY OF 3000 LBS



Remove side wood stabilizers





UNLESS OTHERWISE SPECIFIED: DIMENSIONS ARE IN INCHES		NAME	DATE
TOLERANCES: ANGULAR: MACH - 42° BEND - 52°		DRAWN	XX-XX-XX
TWO PLACE DECIMAL - 50:01		CHECKED	
THREE PLACE DECIMAL - 50:03		ENG APPR.	
INTERPRET GEOMETRIC TOLERANCES PER:		MFG APPR.	
MATERIAL		Q.A.	
SEE NOTES		COMMENTS:	
FRISH			
DO NOT SCALE DRAWING			
<b>PROPRIETARY AND CONFIDENTIAL</b> THE INFORMATION CONTAINED IN THIS DRAWING IS THE SOLE PROPERTY OF PRIMEX AND IS NOT TO BE REPRODUCED OR TRANSMITTED IN ANY FORM OR BY ANY MEANS, AS A WHOLE OR IN PART, WITHOUT THE WRITTEN PERMISSION OF PRIMEX.		TITLE: <b>RAPID SET V1-122</b>	SIZE DWG. NO. <b>B</b>
SCALE: 1:1		WEIGHT:	REV <b>01</b>
SHEET 1 OF 1			

